



EoSens® 25CL+

High Speed CMOS Cameras



EoSens® 25CL+ Key Features:

- 31 fps at 25 megapixel resolution
- Based on OnSemi PYTHON sensor
- Full Camera Link® configuration
- Extremely sensitive
- Compact, fanless design

Engineered for Sensitivity

Powered by an advanced OnSemi PYTHON sensor, the EoSens® 25CL+ supports 31 frames per second at 5,120 x 5,120 pixel resolution. With an extraordinary photo-sensitivity of 5.8 V/lux*s @550nm this high-speed CMOS camera delivers high-contrast images even in low-light conditions.

Contained within a robust and small metal housing, it is engineered for use in rough environments.

The camera is available in Full Camera Link® configuration. This high-speed serial interface transmits up to 850 Mbytes per second and includes a camera control tool.

APPLICATION EXAMPLES

- PCB inspection
- Wafer inspection
- Aerial surveillance
- Surface inspection
- Flaw detection
- Materials science
- LCD panel inspection
- LED inspection



Standardized Interface

The camera takes advantage of Camera Link® technology. This widely adopted standard has a number of benefits:

- Easy to configure camera attributes
- Precise and reliable triggering and timing capability
- Power and data over one cable
- Uniform cabling
- Easy handling

Technical Data

(More detailed specifications are available on request)

| EoSens® 25CL+ (monochrome / color) | |
|---------------------------------------|------------------------------------|
| Resolution | 25 Mpix |
| Active pixels | 5,120 x 5,120 px |
| Interface | Camera Link® extended full |
| Frame rate (8 bit) | 31 fps |
| <hr/> | |
| Sensor | OnSemi Python 25k |
| Sensor type | CMOS global shutter |
| Sensor format | 35 mm |
| Active sensor area (H x V) | 23.04 x 23.04 mm |
| Pixel size | 4.5 x 4.5 µm |
| Sensitivity (mono) | 5.8 V/lux*s @ 550nm |
| Color depth | 10 / 8 bit |
| <hr/> | |
| Dynamic range | 59 dB |
| Shutter time (steps) | 1 µs |
| Shutter time range | 1 µs - 1 s |
| Max. Jitter | ±4 ns |
| <hr/> | |
| Interface Connector | 2x SDR-26 |
| Mount option | F-Mount |
| Dimensions (W x H x L w/o mount) | 80 x 80 x 66 mm |
| Weight (C-Mount) | 540 g |
| Power consumption | 8 W |
| Power supply | 12 - 24 V DC |
| <hr/> | |
| Camera body temperature | +5°C ... + 55°C |
| Shock / Vibration proof | 70 g / 7 grms |
| Conformity | CE / RoHS / GenICam / Camera Link® |
| EMVA1288 reports | ✓ |

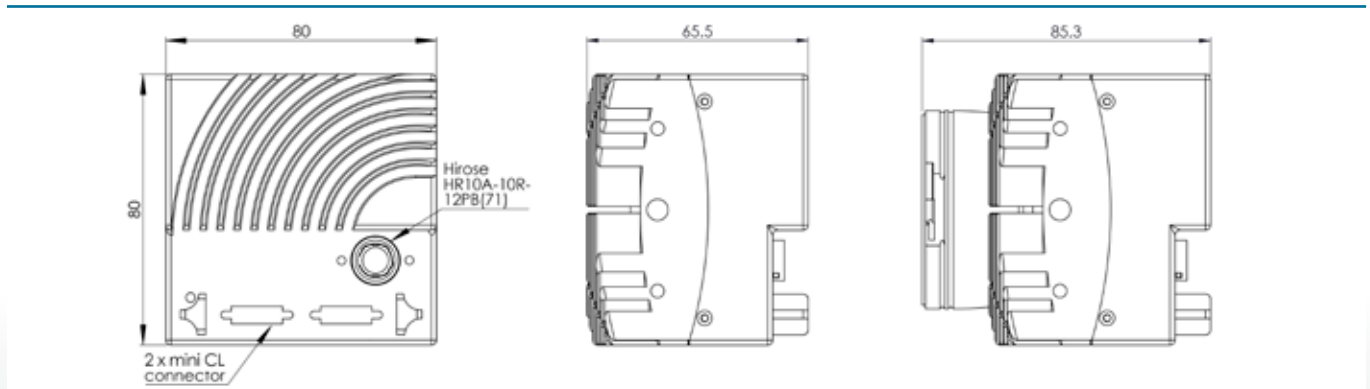
Frame rates

| Resolution | Frame rate |
|------------------|------------|
| 5,120 x 5,120 px | 31 fps |
| 1,920 x 1,080 px | 173 fps |
| 1,280 x 1,024 px | 182 fps |

Smart Features

- PoCL
- Trigger Modes
- Arbitrary ROI
- FPN Correction
- GPIO
- PRNU Correction

Camera Body Dimensions



MIKROTRON GmbH

Mikrotron GmbH provides a full range of high-speed imaging solutions for challenging applications in industry, engineering, science and sports. The company's extreme slow-motion recording enables customers to optimize manufacturing processes, improve product design, revolutionize quality management and analyze motion.

Germany
 Landshuter Str. 20-22
 D85716 Unterschleißheim
 Phone: +49(0)89-726342-00
 E-Mail: info@mikrotron.de
 Web: www.mikrotron.de

North America
 14032 Hermosillo Way
 US-Poway, CA 92064
 Phone: +1-858-774-1176
 E-Mail: steve.ferrell@mikrotron.de
 Web: www.mikrotron.de

