

Future Proof Interface

The CoaXPress® interface standard is one of the most powerful transmission technologies in image processing today. Its features speak for themselves:

- Data rates up to 6.25 Gbit/s over a single coax cable
- Up to 25 Gbit/s using four cables
- Data, communication, control and power over one cable
- Real time behavior through fixed, low latency
- Precise triggering capability, even in multi-camera applications
- Flexible and reliable through use of standard coax cables
- Plug and play

Frame rates

Resolution	Frame rate
1,696 x 1,710 px	566 fps
1,280 x 1,024 px	1,200 fps
640 x 480 px	4,620 fps
320 x 240 px	14,900 fps
128 x 128 px	42,450 fps
	max. 225,000 fps

Smart Features

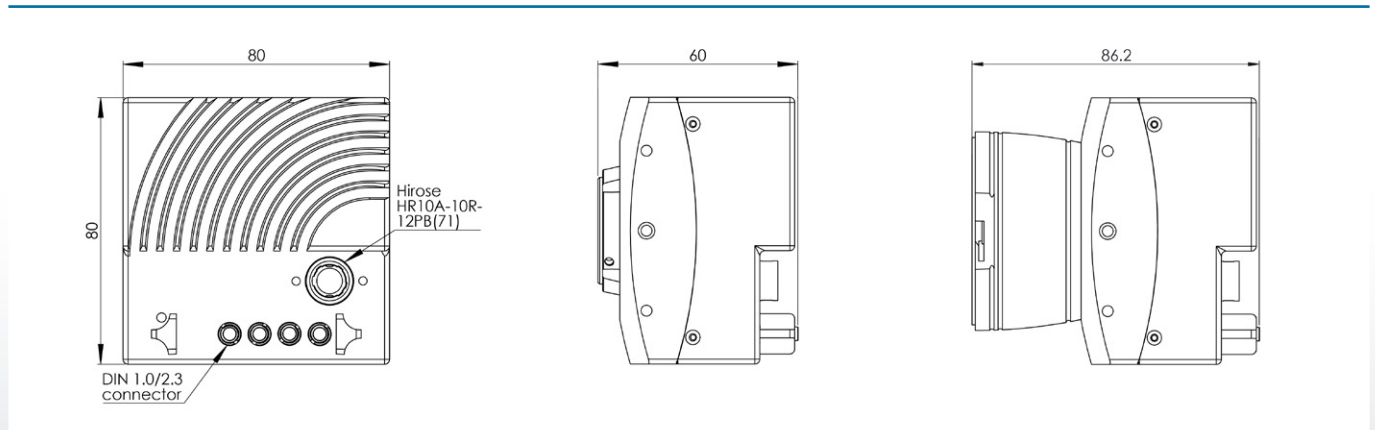
- Arbitrary ROI
- High Dynamic Range
- FPN Correction
- PoCXP
- Trigger Modes
- GPIO

Technical Data

(More detailed specifications are available on request)

EoSens® 3CXP (monochrome / color)	
Resolution	3 Mpix
Active pixels	1,696 x 1,710 px
Interface	CoaXPress® @ 4 x 6.25 Gbit/s
Frame rate (8 bit)	566 fps
Sensor	LUPA3000
Sensor type	CMOS global shutter
Sensor format	1"
Active sensor area (H x V)	13.57 x 13.68 mm
Pixel size	8 x 8 µm
Sensitivity (mono)	3.81 V/lux*s @ 550nm
Color depth	8 bit
Dynamic range	80 dB
Shutter time (steps)	1 µs
Shutter time range	1 µs – 1 s
Max. Trigger frequency	300 kHz
Max. Jitter	±4 ns
Connector options	DIN 1.0 / DIN 2.3
Mount options	C-Mount / F-Mount
Dimensions (W x H x L w/o mount)	80 x 80 x 48 mm
Weight (C-Mount)	450 g
Power consumption	7 W
Power supply	12 – 24 V DC
Camera body temperature	+5 °C ... +50 °C
Shock / Vibration proof	70 g / 7 grms
Conformity	CE / RoHS / GenICam / CoaXPress®
EMVA1288 reports	✓

Camera Body Dimensions



MIKROTRON GmbH

MIKROTRON GmbH provides a full range of high-speed imaging solutions for challenging applications in industry, engineering, science and sports. The company's extreme slow-motion recording enables customers to optimize manufacturing processes, improve product design, revolutionize quality management and analyze motion.

Germany
 Landshuter Str. 20-22
 D-85716 Unterschleissheim
 Phone: +49(0)89-726342-00
 E-Mail: info@mikrotron.de
 Web: www.mikrotron.de

North America
 14032 Hermosillo Way
 US-Poway, CA 92064
 Phone: +1-858-774-1176
 E-Mail: steve.ferrell@mikrotron.de
 Web: www.mikrotron.de

