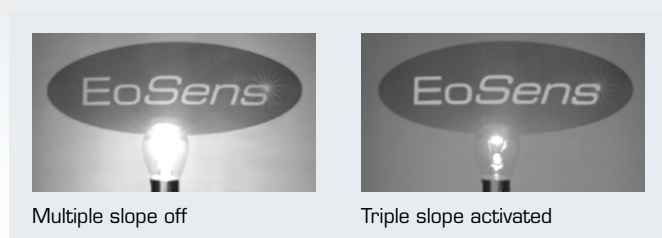


Powerful Features

Through two selectable steps, the camera's dynamic range can be enhanced to 90 dB. Even in cases of extreme contrasts between dark and light the EoSens® CL captures critical details.



Another important feature of the EoSens® CL is its automatic exposure mode. Additionally, pixel exposure can be accumulated up to seven times, resulting in alternative image results. The optimally exposed image may then be selected for further processing.

Frame rates

Resolution	Camera Link® Full	Camera Link® Base
1,280 x 1,024 px	506 fps	110 fps
640 x 480 px	1,860 fps	400 fps
400 x 300 px	4,060 fps	870 fps
1,280 x 64 px	7,630 fps	1,600 fps
60 x 60 px	33,390 fps	6,090 fps
	max. 120,420 fps	max. 15,290 fps

Smart Features

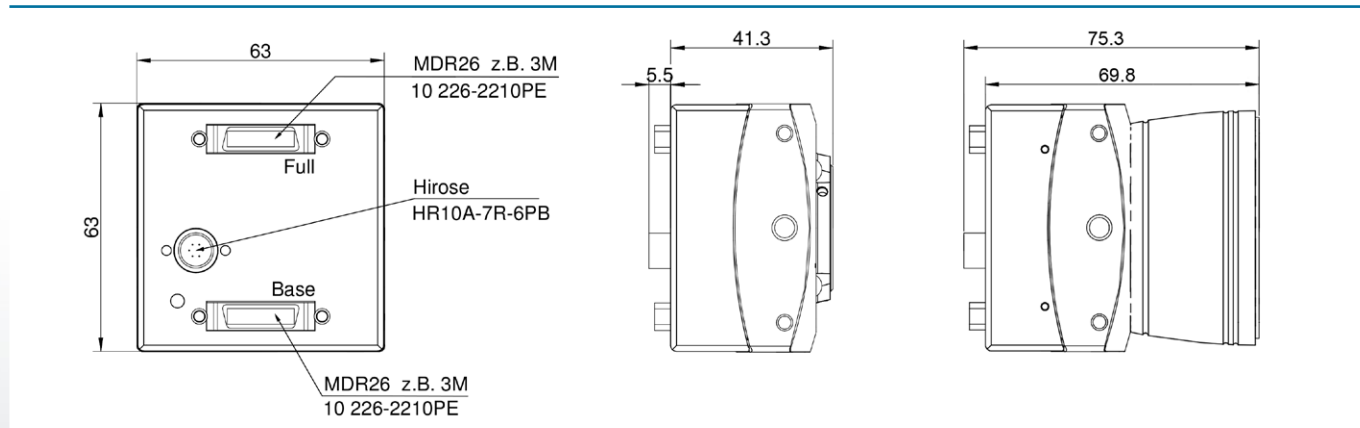
- Triple Slope
- FPN Correction
- Multiple ROI
- Arbitrary ROI
- High Dynamic Range
- Auto Exposure
- Multiple Pixel Exposure
- PoCL

Technical Data

(More detailed specifications are available on request)

EoSens® CL (monochrome / color)		
Resolution	1.3 Mpix	
Active pixels	1,280 x 1,024 px	
Interface	Camera Link® Full	Camera Link® Base
Frame rate (8 bit)	506 fps	110 fps
Sensor	LUPA1300-2	
Sensor type	CMOS global shutter	
Sensor format	1"	
Active sensor area (H x V)	17.92 x 14.34 mm	
Pixel size	14 x 14 µm	
Sensitivity (mono)	10.2 V/lux*s @ 550nm	
Color depth	10 / 8 bit	
Dynamic range	57 dB / up to 90 dB	
Shutter time (steps)	2 µs	
Shutter time range	2 µs – 1 s	
Mount options	C-Mount / F-Mount	
Dimensions (W x H x L w/o mount)	63 x 63 x 38 mm	
Weight (C-Mount)	300 g	
Power consumption	5 W	
Power supply	8 – 24 V DC	
Camera body temperature	+5 °C ... +50 °C	
Shock / Vibration proof	70 g / 7 grms	
Conformity	CE / RoHS / Camera Link®	
EMVA 1288 reports	✓	

Camera Body Dimensions



MIKROTRON GmbH

MIKROTRON GmbH provides a full range of high-speed imaging solutions for challenging applications in industry, engineering, science and sports. The company's extreme slow-motion recording enables customers to optimize manufacturing processes, improve product design, revolutionize quality management and analyze motion.

Germany

Landshuter Str. 20-22
D-85716 Unterschleissheim
Phone: +49(0)89-726342-00
E-Mail: info@mikrotron.de
Web: www.mikrotron.de

North America

14032 Hermosillo Way
US-Poway, CA 92064
Phone: +1-858-774-1176
E-Mail: steve.ferrell@mikrotron.de
Web: www.mikrotron.de

