



EoSens® 25CXP+

High Speed CMOS Cameras



1288
EMWA Standard Compliant

CoaXPress

GEN<i>CAM

EoSens® 25CXP+ Key Features:

- 80 fps at 25 megapixel resolution
- Based on OnSemi PYTHON sensor
- High-performance CoaXPress® interface
- Extremely sensitive
- Compact, fanless design

Engineered for Sensitivity

Powered by an advanced OnSemi PYTHON sensor, the EoSens® 25CXP+ supports 80 frames per second at 5,120 x 5,120 pixel resolution.

This extremely photo-sensitive high-speed CMOS camera delivers high-contrast images even in low-light conditions.

Integrated in a robust, small, metal housing, the camera is engineered for use in rough environments. All this is combined with a 4-channel CXP-6 CoaXPress® interface, transmitting data at speeds of up to 25 Gigabits per second in real time.

APPLICATION EXAMPLES

- PCB inspection
- Wafer inspection
- Aerial surveillance
- Surface inspection
- Flaw detection
- Materials science
- LCD panel inspection
- LED inspection



Future Proof Interface

The CoaXPress® interface standard is one of the most powerful transmission technologies in image processing today. Its features speak for themselves:

- Data rates up to 25Gbit/s, 4 lanes with max. 6,25Gbit/s
- Data, communication, control and power over one cable
- Real time behavior through fixed, low latency
- Precise triggering capability, even in multi-camera applications
- Plug and play

Frame rates

Resolution	Frame rate
5,120 x 5,120 px	80 fps
4,096 x 3,072 px	160 fps
1,920 x 1,080 px	448 fps
1,280 x 1,024 px	470 fps
1,024 x 768 px	623 fps

Smart Features

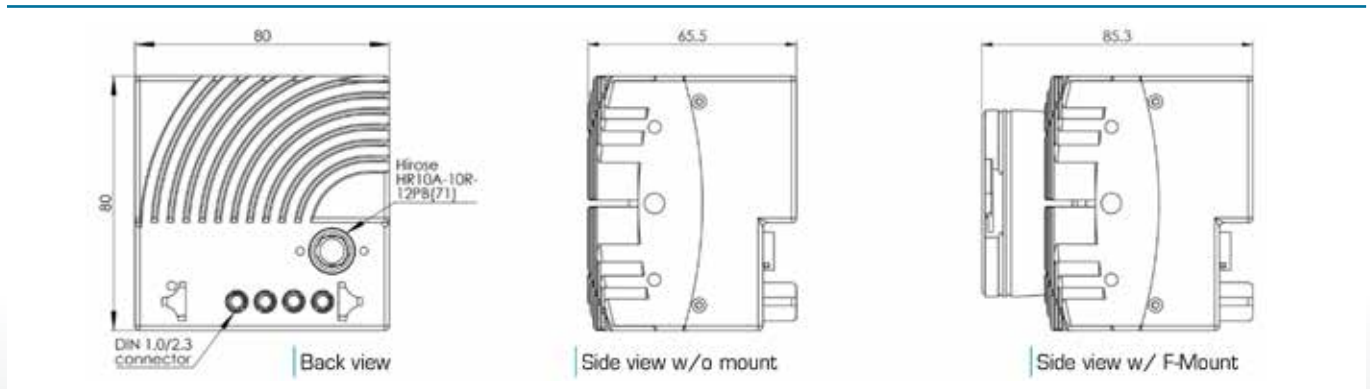
- PoCXP
- Various Trigger Modes
- Arbitrary ROI
- FPN Correction
- Direct GPIO on camera
- PRNU Correction

Technical Data

(More detailed specifications are available on request)

EoSens® 25CXP+ (monochrome / color)	
Resolution	25 Mpix
Active pixels	5.120 x 5.120 px
Interface	CoaXPress® @ 4 x 6.25 Gbit/s
Frame rate (8 bit)	80fps
<hr/>	
Sensor	OnSemi Python 25k
Sensor type	CMOS global shutter
Sensor format	35mm
Active sensor area (H x V)	23.04 x 23.04 mm
Pixel size	4.5 x 4.5 µm
Sensitivity (mono)	5.8 V/lux*s @ 550nm
Pixel data width	10 / 8 bit
<hr/>	
Dynamic range	59 dB
Shutter time (steps)	1 µs
Shutter time range	1 µs - 0.1 s
<hr/>	
Interface Connector	DIN 1.0/2.3
Mount option	F-Mount
Dimensions (W x H x L w/o mount)	80 x 80 x 66 mm
Weight (w/o mount)	540 g
Power consumption	10 W
Power supply	12-24VDC external or PoCXP
<hr/>	
Camera body temperature	+5 °C ... +55 °C
Shock / Vibration proof	70 g / 7 grms
Conformity	CE / RoHS / GenICam / CoaXPress®
EMVA1288 reports	✓

Camera Body Dimensions



MIKROTRON GmbH

Mikrotron GmbH provides a full range of high-speed imaging solutions for challenging applications in industry, engineering, science and sports. The company's extreme slow-motion recording enables customers to optimize manufacturing processes, improve product design, revolutionize quality management and analyze motion.

Germany
 Landshuter Str. 20-22
 D85716 Unterschleißheim
 Phone: +49(0)89-726342-00
 E-Mail: info@mikrotron.de
 Web: www.mikrotron.de

North America
 14032 Hermsillo Way
 US: Poway, CA 92064
 Phone: +1-858-774-1176
 E-Mail: steve.ferrill@mikrotron.de
 Web: www.mikrotron.de



All trademarks are properties of their respective owners. Mikrotron reserves the right of change without notice. Mikrotron is not liable for harm or damage incurred by information contained in this document.